

Quintezz®

XT-8000 Pro

User's manual

PROUD TO BE YOUR GUIDE™



GB

NL

F

E

RO

TABLE OF CONTENTS

INTRODUCTION	2
XT-8000 PRO FEATURES	3
INSTALLATION	4
HOW THE RADAR AND LASER WORK-GENERAL	5
OPERATION	5
MAINTENANCE	7
FUSE REPLACEMENT INSTRUCTIONS.....	7
GUARANTEE.....	8

INTRODUCTION

Congratulations !

You have just purchased one of the world's most sophisticated built-in radar detectors.

Please read this instruction manual before installation.

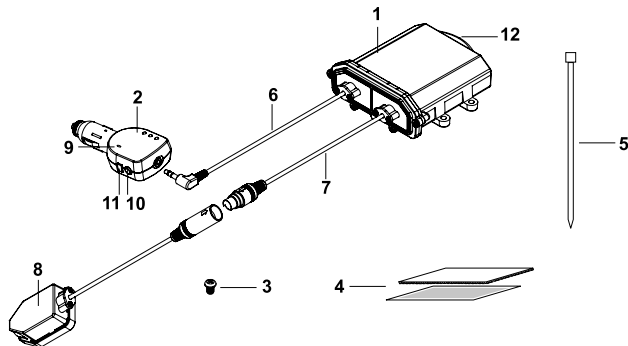
All instructions are necessary to achieve optimum use and trouble-free performance from your XT-8000 Pro.

The built in radar detector will be placed in the front of the car (e.g. in the grill). Only a small signal indicator has to be placed in the car. This makes the built-in solution very sophisticated, useable with metal shielded windshields and nearly invisible from outside.

However, owning a radar detector does not give you a license to speed. It is to be used as defense against unnecessary speeding offences caused by revenue generating speed traps or occasional lapses of concentration on the part of the driver. Please drive safely.

Please note that radar and laser detectors are not allowed in all countries. Please check with the local authority before use.

XT-8000 PRO FEATURES



1. Radar detector
2. Signal indicator
3. Screws
4. Hook and loop tape
5. Cable fasteners
6. Cable from radar detector to signal indicator
7. Cable for laser detection extension
8. Laser eye

9. Speaker
10. Mute/Mode button
Activates mute mode, which silences the audio alarm for about 5 seconds.
11. City button
Activates lower sensitivity of the radar when driving in the city.
12. Receiving window radar

INSTALLATION

A. GENERAL GUIDELINES

- Mount the detector so that the receiving window/sensor has an unobstructed view of the road ahead.
- The unit may be positioned within 25° of horizontal without significantly degrading performance.
- Do not mount directly behind metal obstacles, any obstacle needs to be avoided.
- The preferred mounting position is horizontal, just beneath or above the number plates, with a clear view to the front.
- Check that it is possible to guide the cable from the preferred position for the radar detector to the preferred position of the signal indicator. The cable length is 5 meters.

B. MOUNTING

The radar detector needs to be mounted in the selected location. The most secure way is to screw the radar detector to the car. The hook and loop tape may not be used for single mounting, it is intended as an additional mounting material to the screws or for use in a location where the radar detector is already fixed by the car, e.g. in the hole of the front grill.

Cable mounting

The cable from the radar detector with the jack plug needs to be fixed and guided to the inside of the car, to the cigar lighter location. The other cable on the radar detector is intended for laser detection extension.

Signal indicator mounting

The signal indicator is integrated in the cigar plug. This makes it easy to remove the power connection, or any indication that a radar detector is installed in the car. The XT-8000 Pro is designed to operate from the normal 12 Volt electrical system and must be used with a negative ground electrical system. Remove vehicle cigar lighter from its socket and insert the signal indicator into the lighter socket.

HOW THE RADAR AND LASER WORK-GENERAL

A. HOW THE RADAR WORKS

The actual process involved in determining a vehicle's speed is basically a simple one. It involves directing a beam of microwave energy at an approaching target vehicle. A portion of this beam is reflected by the target and is received by the radar unit that originally transmitted the signal. The reflected signal is shifted in frequency by an amount proportional to the speed of the target vehicle. This phenomenon is known as the Doppler effect. The radar unit determines the target vehicle speed from the difference in frequency between the reflected signal and original signal.

B. RADAR & LASER FREQUENCIES

The QUINTEZZ XT-8000 Pro can detect 12 radar bands:

X-Band 10.50 GHz	Ka Narrow and Ka Wide-Band 34.0 GHz
X-Band 10.525 GHz	Ka Narrow and Ka Wide-Band 34.30 GHz
X-Band 10.60 GHz	Ka Narrow and Ka Wide-Band 34.36 GHz
K-Band 24.10 GHz	Ka Wide-Band 34.70 GHz
K-Band 24.125 GHz	Ka Wide-Band 35.50 GHz
K-Band 24.150 GHz	Laser

OPERATION

A. SELF TEST

If the unit is switched ON by putting the signal indicator in the cigar lighter socket, it will immediately perform a self-test. During the test the different steps will be alerted and the different tones will be activated. If the test is finished the P/C (Power) will light.

B. RADAR & LASER ALARMING

The detector identifies the band on which the signal is received by means of different tones and an indication of LED's.

C. MUTE MODE

During a radar transmission when the audio alarm is sounding, you have the option to MUTE the alarm by pressing the Mute/Mode button momentarily. After 5 seconds the unit will de-MUTE automatically. You do not have to reset the unit.

D. BAND SELECTION

Press the Mute/Mode button for more than 3 seconds to select the bands you would like to activate.

Mode	Band	X-Led	K-Led
1	X, K, Ka Wide	ON	OFF
2	X, K, Ka Narrow	OFF	ON
3	K, Ka Wide	ON	ON
4	K, Ka Narrow	Flashes	OFF
5	K	OFF	Flashes
6	Ka Narrow	Flashes	Flashes

When no key is pressed for more than 3 seconds, the last selection will be saved.

E. CITY BUTTON

Press this button to activate the City mode. The radar sensitivity will be reduced to avoid false alarms from f.i. automatic doors in the city. P/C Led flashes if the City mode is activated.

F. HOW THE DETECTOR WARNS

- ! Starts to beep slowly, then increases in rate very rapidly.
- FULL WARNING = Most likely police radar.
- ! Beeps just once.
- EXERCISE CAUTION = Most likely a false source or could be pulsed radar.
- ! Very fast beep rate instantly.
- FULL WARNING = Radar close but has been suddenly switched on.
- ! Slow beep rate as you approach a hill or bridge. Sharp increase in beep rate as you reach a hill or bridge.
- FULL WARNING = Most likely police radar on other side of the hill or bridge.
- ! Short term, weak beeping, series of signals.
- EXERCISE CAUTION = Most likely a false radar source.

MAINTENANCE

To keep your detector in good condition, follow these simple steps:

- Do not expose the signal indicator to moisture.
- Always unplug the power cable or turn off the power when not in use.

If your unit does not work anymore (no test by switching on), we advise you to complete following checks:

- Is the power cord properly plugged in at both ends?
- Is the fuse OK?
- Is the cigar lighter socket clean and free from corrosion?

FUSE REPLACEMENT INSTRUCTIONS

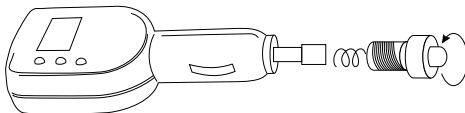
Do not use any tools to change the fuse.

- Press the top of the fuse-holder down and rotate it anti-clockwise approx. 30°. Lift the top straight up.
- Remove the fuse and replace if required by one of the same rating. The silver tip contains a spring which may fly off when disassembling. The fuse should be inserted before the spring.

- Place the top of the fuse-holder back on the body. Press down and rotate the top of the fuse-holder clockwise approx. 30°.

NOTE :

- Failing to press the top of the fuse-holder down prior to rotating it, will damage the fuse-holder. Use of pliers to rotate the top may also cause damage.
- The illustration indicates the direction that the fuse-holder top must be rotated to reassemble.



GUARANTEE

QUINTEZZ is a registered trademark of TE-Group NV.

The QUINTEZZ brand stands for superior product quality and outstanding customer service. That is why QUINTEZZ warrants this product against all defects in material and workmanship for a period of **two (2) years** from the date of original purchase of the product.

The conditions of this guarantee and the extent of responsibility of QUINTEZZ under this guarantee are as follows:

- This guarantee is limited to the original purchaser of the product and is not transferable to any subsequent purchaser/end user.
- During the guarantee period, the sole responsibility of QUINTEZZ will be limited to repair or replace, at its option, any defective parts of the product if this is needed because of malfunction or failure under normal use and conditions. No charge shall be made to the customer for parts and/or repair labor.
- The product must be shipped to an authorized service center in its original and complete packaging, with transportation charges prepaid. QUINTEZZ will not assume responsibility for any losses or damages during transportation.
- To obtain repair or replacement within the terms of this guarantee, the customer must provide (a) a proof of purchase

- (e.g. dated bill of sale); (b) a written specification of the defect(s); (c) a return address and phone number.
- This guarantee does not cover and is void with respect to the following:
 - (a) Products which have been subjected to improper installation, unauthorized repair, improper maintenance, unauthorized modifications or other acts which are not the fault of QUINTEZZ; (b) Products which have been subjected to misuse, abuse, neglect, improper handling and storage, an accident or physical damage; (c) Products which have been subjected to fire, water, excessive humidity, sand, dirt, extreme changes in temperature or other conditions which are beyond the control of QUINTEZZ; (d) Products which have been used with non-QUINTEZZ approved accessories; (e) Products which have the serial number altered, defaced or removed; (f) Products which have been opened, altered, repaired or modified by any unauthorized service center.
- Excluded from any guarantee are consumable items which may need replacing due to normal wear and tear, such as batteries, ear cushions, decorative parts and other accessories.
- This guarantee gives you specific legal rights, and you may also have other rights which vary from country to country.



Waste electrical products must not be disposed of with household waste. This equipment should be taken to your local recycling centre for safe treatment.